

INSTALLATION INSTRUCTION



R1 Two-Piece Toilet



NOTE: Drawings may not exactly define contour of the product.



Prior to Installation

- Inspect toilet to ensure no damages have occurred while in shipping.
- Observe all plumbing and building codes in accordance with your state and local requirements.
- Remove old toilet.
- Make sure mounting surface is CLEAN and LEVEL.

General Recommendations:

Please read installation and maintenance instructions thoroughly before installing the toilet.

Be sure to use proper tools and always wear proper personal safety accessories for your protection.

**If you have any questions or concerns
please contact us:**

cs@maceratingflo.com
(+1) 626-670-9903

SUGGESTED TOOLS AND MATERIALS (NOT SUPPLIED)



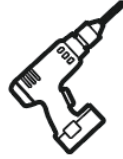
Wrench



Tape Measure



Level



Drill



Cut Resistant Gloves

Cross Head
ScrewdriverFlat Head
Screwdriver

Pencil



Water Supply Kit

PARTS LIST

- MT000T01 Toilet Bowl & Tank, Slow-close Toilet Seat, Flush Lever, Extension Pipes and Installation Accessories

The step-by-step guidelines in the installation instructions are a general reference for installing a MaceratingFlo Two-Piece Toilet. Should there be any discrepancies, MaceratingFlo cannot be held liable. It is recommended to install all MaceratingFlo Products by hiring a licensed professional.



1. Read the complete instruction manual before beginning installation.



2. Confirm that your model will fit in intended location and plumbing fixtures are located where legally required before beginning installation.



3. Not all drawings on this manual are drawn to scale. Please refer to the model chart.

4. Two people are recommended to install and move this product.

5. Product is FRAGILE! To avoid breakage and possible injury handle with care.

NOTE: Specialized tools may be necessary to install MaceratingFlo Two-Piece Toilet, plumbing not included.

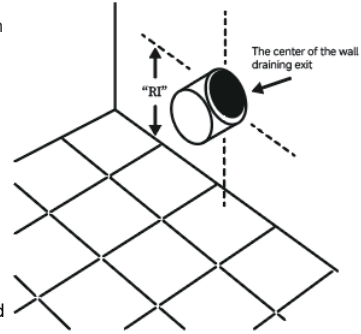
BEFORE INSTALLATION

1.Ensure that your bathroom has a draining exit and cold water supply line in place.

2.In order for your new toilet to fit correctly, please check the following dimensions:

- ①. The distance between the finished floor and the center of the wall draining exit, "Rough-in (RI)" must be about 7 inches.
- ②. The PVC-U pipe of the wall draining exit should extend beyond the finished wall by about 0.4-0.5 inches.
- ③. Water supply should be approximately 7.9-9.8 inches to the left (facing the bowl) from the toilet, and approximately 5.9-7.9 inches above the finished floor.

3.Water Supply: If your cold water line is through the wall, install an Angle Stop. If it is through the floor, install a Straight Stop.



START INSTALLATION

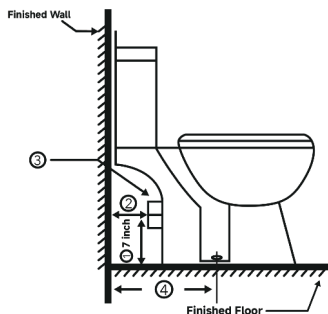
1. Old Toilet Removal (If applicable) :

- **Shut Off Water Supply:** Ensure the water supply valve is fully turned off.
- **Flush and Empty:** Depress the flush handle to drain water from the tank. Manually remove any remaining water from the tank or bowl using a sponge or towel.
- **Disconnect the Supply Line:** Carefully detach the water supply line connecting to the tank.
- **Detach the Toilet:** First, pry off any decorative caps on the base of the toilet. Next, unscrew the nuts fastening the toilet to the floor.
- **Lift Away the Toilet:** With a firm grip, lift the toilet off its base and set it aside or dispose of it according to local regulations.
- **Prep for New Installation:** Remove the old closet bolts from the closet flange. Clean the base area thoroughly, ensuring any residues like old wax or putty are removed.

NOTE: Ensure that the mounting surface is clean and level before installing the new toilet.

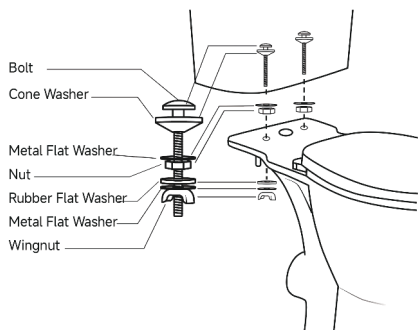
2. Make Sure to Measure and Label the Following

- ① Center distance from the ground.
- ② Distance of the outfall from the wall.
- ③ Diameter of the outfall.
- ④ Distance of the center from the wall.



4. Water Tank Assembly

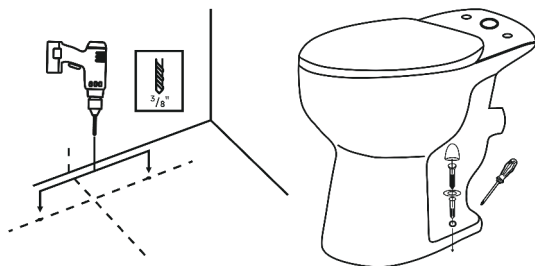
1. Position the tank-to-bowl gasket over the tank nut, ensuring there is no gap between the gasket and the tank.
2. Insert the two tank bolts into the tank mounting holes. Lift the tank and guide the bolts to align the tank with the bowl.
3. Place the washers and nuts as illustrated. Alternately tighten the nuts to secure the tank to the toilet bowl.



3. Determine the Toilet Installation Location

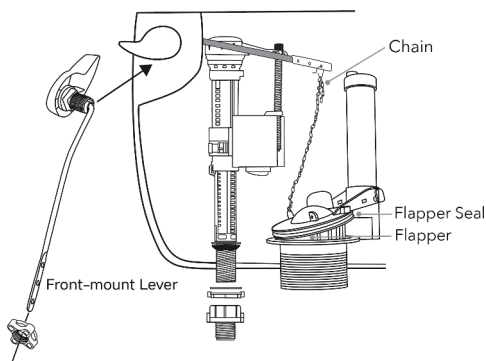
1. Align the toilet's draining exit with the wall draining exit, and place the toilet seat on the ground.
2. Mark the points at the mounting holes, then remove the toilet.
Note: Make sure to mark the points at the mounting holes.
3. Drill the mounting holes at the marked points, then insert the expansion screws.

If the toilet's draining exit cannot be connected with the wall draining exit, please use an "Extension Pipe," and ensure that there is no leakage at the junction.



5. Install Flush Lever

1. Unscrew the plastic nut from the lever arm by turning it clockwise.
2. Insert the lever arm through the square hole on the tank's front side.
3. Secure the lever arm by tightening the plastic nut counterclockwise.
4. Attach the chain from the flapper to the trip lever arm. Ensure the chain length allows the flapper to fully raise when the trip lever is activated. Retain 5 or 6 extra chain links for potential future adjustments.

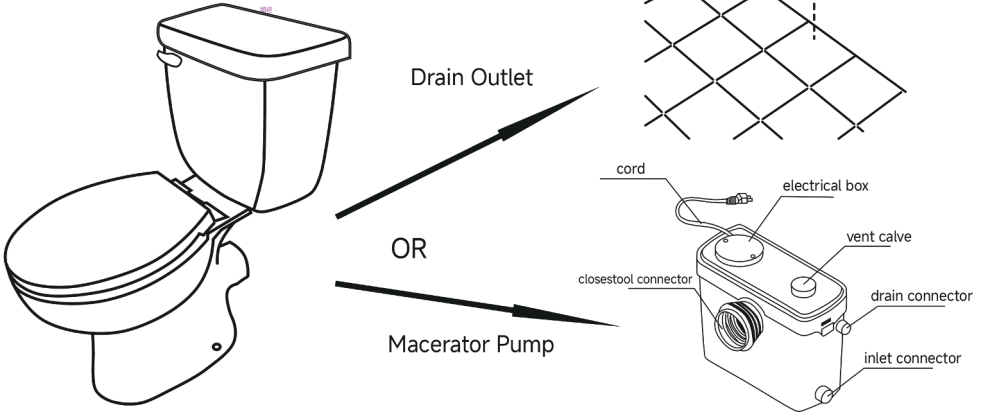


NOTE: Drawings may not exactly define contour of the product.

6. Connecting the Toilet with the Drain Outlet/Macerator Pump

Materials Needed:

- Macerator pump (if applicable)
- PVC pipe or flexible hose (as specified by the pump's manual if using one)
- Jubilee clips or hose clamps
- PVC primer and cement (if using PVC pipe)
- Rubber gloves
- Adjustable wrench
- Screwdriver



Step:

1. Preparation: Ensure the toilet and the macerator pump, if using one, are positioned in their intended locations. Clear the area of any obstructions and gather all necessary tools and materials.
2. Identify the Drain Outlet: Locate the drain outlet in the bathroom or designated installation area. This is where wastewater will flow into the sewage system.
3. Measure and Cut: Measure the distance between the toilet outlet and the drain outlet or macerator pump inlet. Cut the PVC pipe or flexible hose to this length.
4. For PVC Pipe Users (if using a flexible hose, skip to step 5):
 - ①Apply PVC primer to both the outside of the pipe and the inside of the fittings. Allow it to dry for a few seconds.
 - ②Apply PVC cement to both primed areas, then quickly join them, pushing the pipe into the fitting until it seats fully.
5. Connect to the Toilet: Attach one end of the pipe or flexible hose to the toilet's outlet. Secure it with a jubilee clip or hose clamp. Tighten using a screwdriver or adjustable wrench.
6. Connect to the Drain Outlet or Macerator Pump: Attach the other end of the pipe or hose to the drain outlet or the pump's inlet, depending on your setup. Secure it with a jubilee clip or hose clamp.
7. Secure Connections: Ensure that all connections are tight and that there are no visible gaps.
8. Activate the Macerator Pump (if applicable): If using a macerator pump, turn it on to verify its functionality. It should activate and deactivate without issues.
9. Test Flush: Conduct a test flush on the toilet, ensuring everything flows correctly and the pump, if used, activates as intended.
10. Inspect for Leaks: After the test flush, check all connection points for potential leaks. Tighten any loose connections further or consult the manufacturer's guidelines if issues persist.

NOTE: Always turn off the electricity supply when working close to electrical devices, such as a macerator pump, to ensure safety. Additionally, it's recommended to wear rubber gloves when working with sewage systems to maintain hygiene.

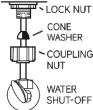
7. Install Water Supply Pipe and Test Flush

①. Connect the cold water line to the tank using either a straight or angle stop. First, place the washer, followed by the plastic nut, onto the tank end of the connecting pipe. Adjust the pipe to align with the inlet hole on the water regulator and tighten all coupling nuts securely.

Caution:

Avoid using plumber's putty, pipe dope, or any other sealants on the water supply connection to this tank. If a leak occurs after hand-tightening, consider replacing the supply line. If the leakage persists with a new supply line, it may be necessary to replace the fill valve.

METAL/COPPER FLARED TUBING



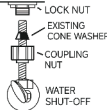
These parts must be used as illustrated to insure water-tight connection. Use of existing coupling nut may result in water leakage. Water supply tube or pipe must extend at least 1/2" inside threaded shank of valve (does not apply to flanged tubing).

METAL FLANGED TUBING



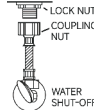
Use existing coupling nut and washer.

METAL SPIRAL TUBING



Use existing spiral cone washer. Fluidmaster cone washer may not seal completely on spiral type supply line.

VINYL/BRAIDED CONNECTOR



Captive cone washers already included. No additional washers needed.

**CAUTION: DO NOT USE
CONE WASHER WITH
PLASTIC SUPPLY LINE.**

**CAUTION: Overtightening of
LOCK NUT or COUPLING NUT
could result in breakage and
potential flooding.**

②. Activate the Macerator Pump (if applicable): If using a macerator pump, turn it on to verify its functionality. It should activate and deactivate without issues.

③. Test Flush: Conduct a test flush on the toilet, ensuring everything flows correctly and the pump, if used, activates as intended.

④. Inspect for Leaks: After the test flush, check all connection points for potential leaks. Tighten any loose connections further or consult the manufacturer's guidelines if issues persist.

8. Install Toilet Seat

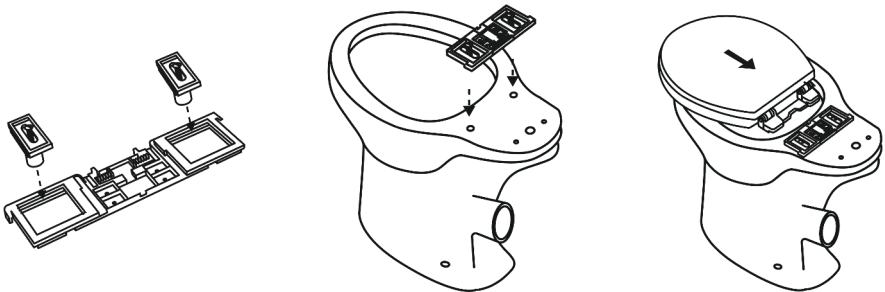
①. Insert the expansion bolt into the bracket

②. Then put them into the hole of the toilet bowl and adjust the position of the bracket correctly (The spring side rests on top)

③. Tighten the expansion bolt with the cross screwdriver

④. Placing the toilet seat ring horizontally into the bracket

⑤. Finally, adjust the position of toilet seat ring to align it with bowl



NOTE: Drawings may not exactly define contour of the product.

TROUBLESHOOTING GUIDE



When servicing or replacing any components, be sure the water supply is shut off and the toilet is flushed.

SYMPTOMS	PROBABLE CAUSES	REMEDIES
Does not flush	<ul style="list-style-type: none"> ● Water supply valve closed. ● Supply line blocked. ● Flush valve chain too loose or disconnected. 	<ul style="list-style-type: none"> ● Open valve and allow water to fill tank. ● Shut off water supply, disconnect supply line and inspect its accessories. Reassemble. ● Readjust chain length as required.
Poor flush	<ul style="list-style-type: none"> ● Tank water level too low. ● Supply valve partly closed. ● Partially clogged trapway and/or drain pipe and/or vent. ● Supply pressure too low. 	<ul style="list-style-type: none"> ● Open supply valve fully. Be sure that proper supply tube size is used. ● Remove obstruction. Consult a plumber if necessary. ● Normal supply pressure must be at least 35 PSI.
Toilet leaks	<ul style="list-style-type: none"> ● Poor supply line connection. ● Poor bowl to tank/wall connection. 	<ul style="list-style-type: none"> ● Review Step 7 of installation procedure. ● Review Step 4 / Step 6 of installation procedure.
Toilet does not shut off	<ul style="list-style-type: none"> ● Flapper seal leaking or deformed. ● Flush valve chain too tight, holding flapper open. 	<ul style="list-style-type: none"> ● Clean debris from seal surface. Replace flapper seal as needed. ● Readjust chain length as needed. Review Step 5.

LIMITED WARRANTY COVERAGE

TWO YEAR LIMITED WARRANTY

MaceratingFlo products are crafted with superior materials and impeccable workmanship, offering our customers reliable and long-lasting products. If defects in materials or craftsmanship are detected under standard use within the first two years of installation, MaceratingFlo will either supply replacement parts at no charge or, if deemed necessary, replace the product or its parts, this warranty is exclusive to the original purchaser, and proof of purchase is mandatory for any claim.

We strongly advise all MaceratingFlo product installations be handled by a licensed, professional plumber or contractor. MaceratingFlo won't be held liable for damages or product malfunctions due to incorrect installation, misuse, or if a licensed professional isn't employed for the installation. We won't cover any associated installation or removal expenses.

This Warranty Will Be Voided If:

- The product's installation did not follow our recommendations.
- The product was relocated from its initial installation site.
- The product underwent any modifications from its original condition.
- The product suffered from neglect, misuse, chemical overuse, accidents, or any other damages.

MaceratingFlo does not imply that our products adhere to local building or plumbing codes. Consumers must ascertain local code compliance before and during installation. This warranty is strictly for the original purchaser and first consumer.

MaceratingFlo won't be held responsible for any consequential damages linked to the product's installation, replacement, return, or usage. This includes, but is not limited to, freight charges, labor, downtime, home damages, and other associated costs (e.g., professional services, investigations, audits, legal fees).

This MaceratingFlo warranty clearly delineates our liability. Items not specified in this warranty fall outside MaceratingFlo's responsibility. In states with variations concerning implied warranties, our compliance is ensured.

For any queries or concerns, feel free to reach out to us at

Email: cs@maceratingflo.com

Phone: (+1) 626-670-9903

Site: www.maceratingflo.com

WARNING: Product components may contain sharp or potentially hazardous parts, posing risks to both children and adults. MaceratingFlo is not accountable for personal injuries or damages.