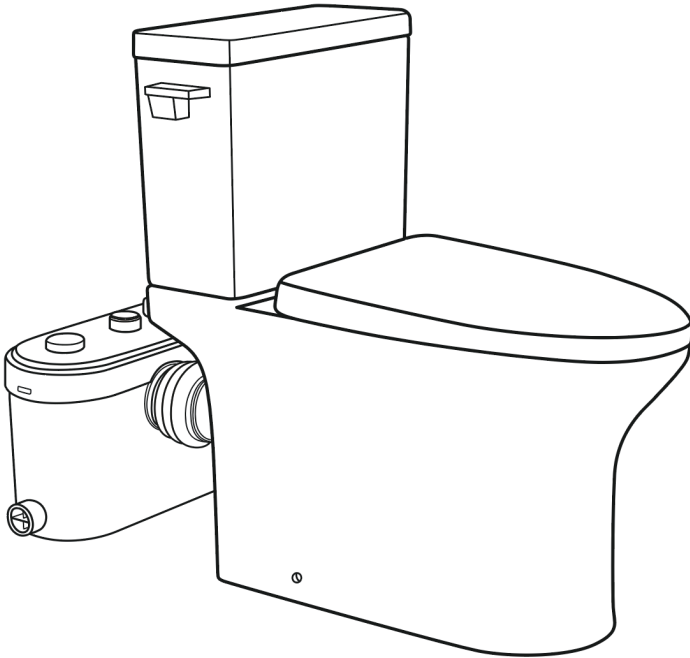


R5 Two-Piece Toilet And Macerator Pump



NOTE: Drawing may not exactly define the contour of the product.

Prior To Installation

Hello, Home Improvement Hero!

As you prepare to install your MaceratingFlo Macerating Toilet, we're here to ensure you have a smooth and straightforward experience. Let's gear up to make your upflush toilet installation a resounding success.

Before You Get Started:

- **Check Your Equipment:** Inspect your toilet and macerator unit right out of the box to ensure everything arrived in impeccable condition. We prioritize your satisfaction from the start!
- **Comply with Codes:** Adherence to state and local plumbing and building codes is a must. Keeping everything legal will provide peace of mind as you proceed.
- **Prepare the Space:** The foundation of a good install is a CLEAN and LEVEL mounting surface. This preparation is crucial for optimal operation and stability of your new system.
- **Team Effort:** For safety and ease, we recommend having a partner help you with the installation and moving of this product.
- **Handle with Care:** As you unpack and set up your MaceratingFlo products, remember they are FRAGILE GOODS. A gentle touch can prevent both breakage and injury.

Remember: The drawings are not to scale and are for illustrative purposes only. Check the detailed specifics at www.maceratingflo.com.

Need Help?

If any questions or concerns arise, we're here for you. Contact us at cs@maceratingflo.com or call (+1) 626-670-9903. We're committed to supporting you every step of the way.

Get Ready:

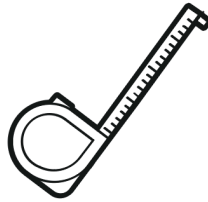
You're all set to transform your bathroom into a marvel of modernity and efficiency. Now, go ahead and install your MaceratingFlo like the pro you are!

Warm regards,
The MaceratingFlo Team

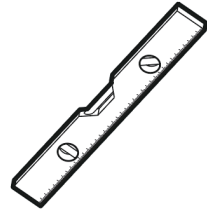
SUGGESTED TOOLS AND MATERIALS (Not Provided)



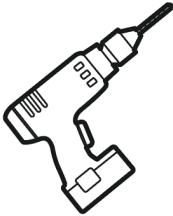
Wrench



Tape Measure



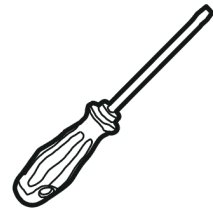
Level



Drill



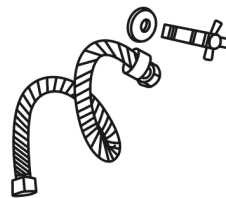
Cross Head
Screwdriver



Flat Head
Screwdriver



Pencil



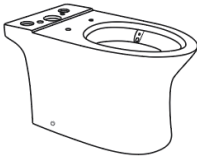
Water Supply Kit



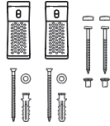
Cut Resistant Gloves

PARTS PROVIDED

Toilet Bowl

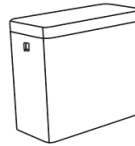


Toilet Bowl



**Toilet Bowl
Accessories**

Water Tank

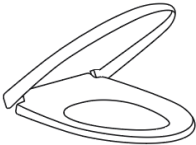


**Water Tank
(Fill Valve and Flush Valve
Pre-installed)**

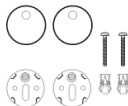


**Water Tank
Accessories**

Toilet Seat

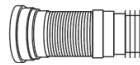


Toilet Seat & Lid

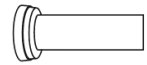


**Toilet Seat
Accessories**

Extension Pipe

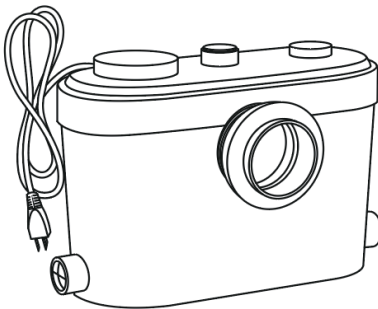


**Flexible Extension
Pipe**

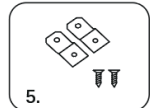
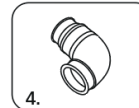
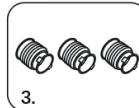
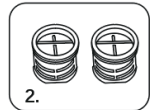


**Rigid Extension
Pipe**

Macerator Pump



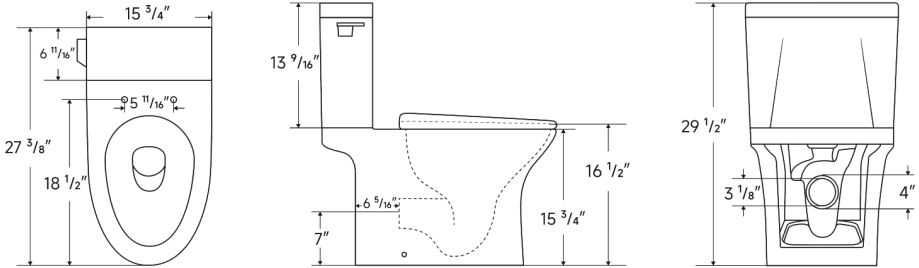
Macerator Pump Accessories



- ① Clamps *7
- ② Stoppers *2
- ③ Inlet Pipe Hoses *3
- ④ Discharge Elbow *1
- ⑤ Floor Mounting Kit *1

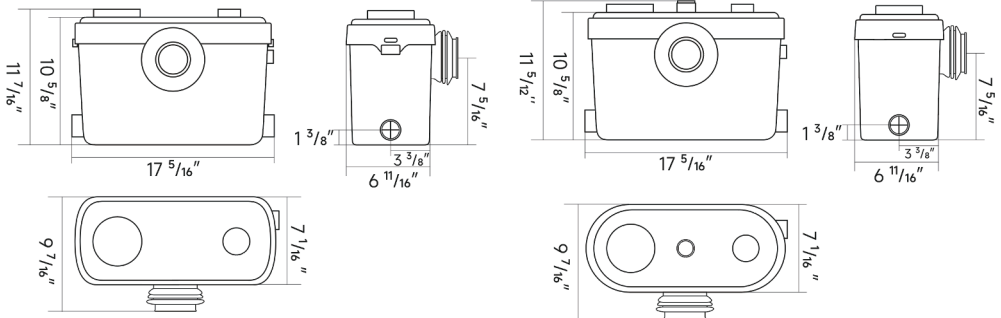
PRODUCT DIMENSIONS (INCH)

Two-piece Toilet (MF000T05)

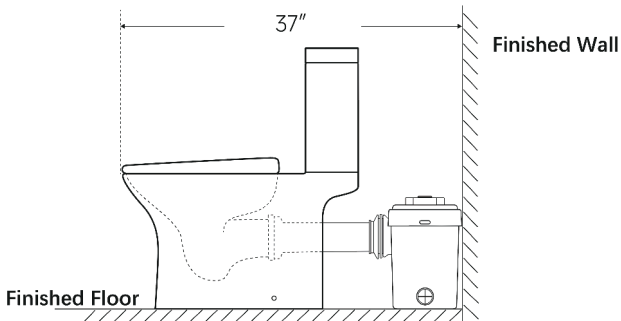


600W Pump (MF600P01)

750W Pump (MF750P01)

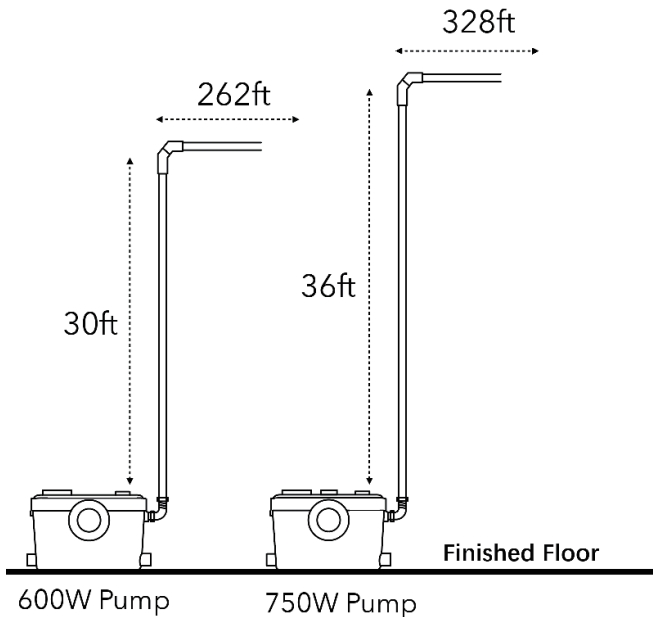


With Rigid Extension Pipe



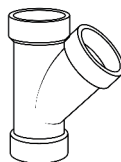
BEFORE INSTALLATION

1. Read the installation instructions included with the MaceratingFlo unit. Identify all provided components and acquire any needed 1 ½" or 1 ¼" PVC pipes and fittings, along with PVC fasteners, cleaner, primer, and glue.
2. Choose the installation location within the maximum distance range:
 - For installation distances, MaceratingFlo 750W Pump supports up to 36ft below sewer lines and 328ft from the soil stack.
 - The 600W Pump allows for 30ft below sewer lines and 262ft from the soil stack.

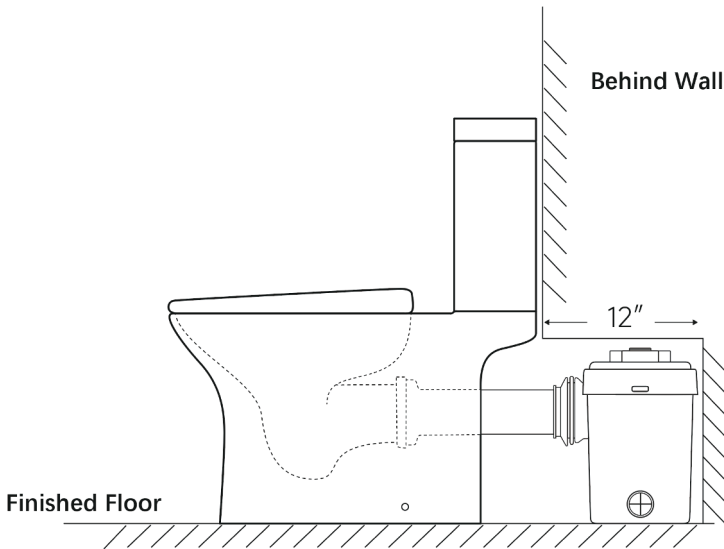


If you plan to connect additional fixtures to the MaceratingFlo unit, they must be on the same structural level.

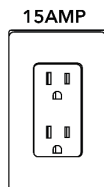
3. Cut into the soil stack material and install a Y-connector for the macerator discharge pipe.



4. When installing with a concealed macerator pump, ensure about 12" of space behind the pump frame. When installing near an exterior wall, leave a few inches behind the pump for insulation.



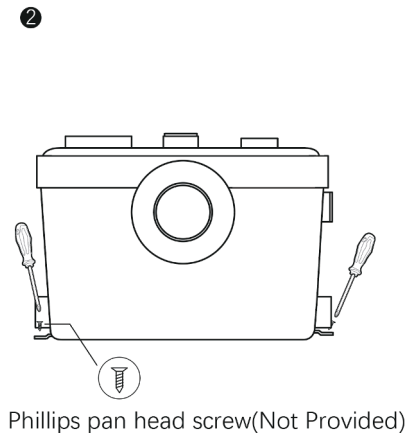
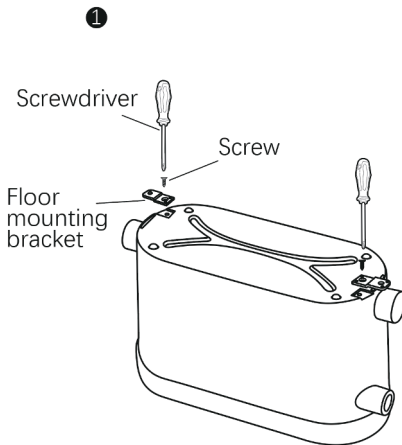
5. Establish or access a fresh water supply in the installation area, with a shut-off valve and water line prepared in advance. Use cold water (below 131°F) for toilet installation.
6. A nearby 15-amp circuit is needed to operate the macerator pump. Due to proximity to water, the circuit should be protected with a Ground Fault Circuit Interrupter (GFCI) in actual installations.



START INSTALLATION

Step 1: Determine The Pump Installation Location

- Position the pump in the desired location. (Take 750W macerator pump as an example.)
- Secure the floor mounting bracket to macerator pump by screws.
- Secure the macerator pump by #8 Phillips pan head self-taping screws (not provided). Plastic anchors (not provided) would be needed for concrete floor.

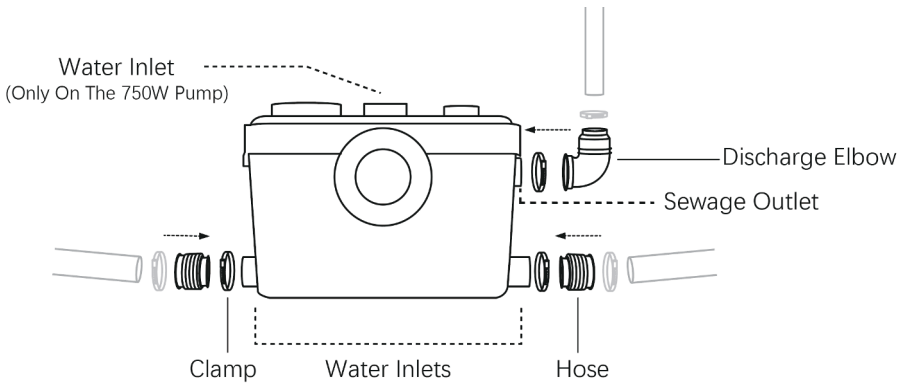


Note:

The macerator pump shall be positioned on the same level and adjacent to the toilet. To avoid undue noise, this unit can be placed at a distance of 0.4" from the wall.

Step 2: Attach Elbows And Hoses

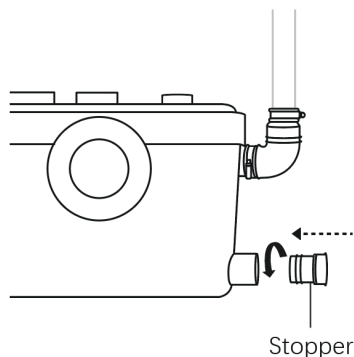
- Insert the hose into the pump's water inlet and continue to secure it with a clamp. Ensure it's properly positioned: press down and tighten with a flat head screwdriver.
- In the same way, install the discharge elbow and secure it with a clamp.



Note:

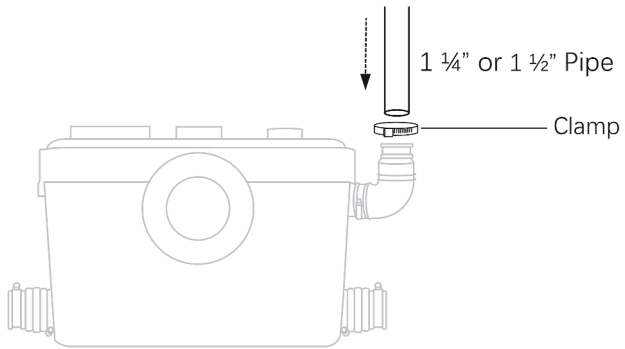
The pump's sewage outlet has an integrated check valve, eliminating the need for an additional check valve in the discharge elbow.

- For any unused water inlets, insert stopper plugs and twist them to tighten.

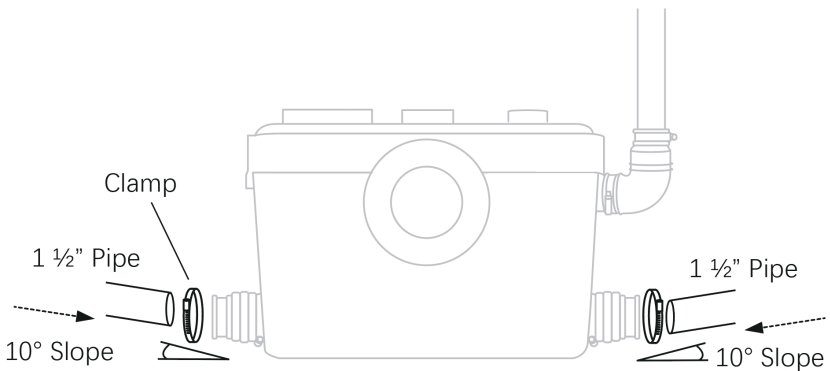


Step 3: Connect The Pump To PVC Pipes

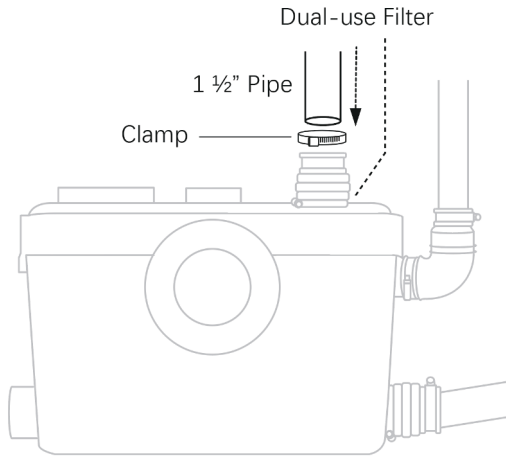
- Insert a 1 ¼" or 1 ½" sewage PVC pipe above the right side of the pump, and secure it with a clamp.



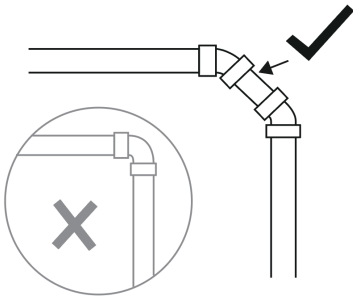
- To connect to a sink or shower waste, use the pump's left and right inlets. Use a 1 ½" pipe for connection, preferably with at least a 10° slope for gravity flow into the pump. Ensure the hot water temperature for bathtubs and faucets is 131°F or lower.



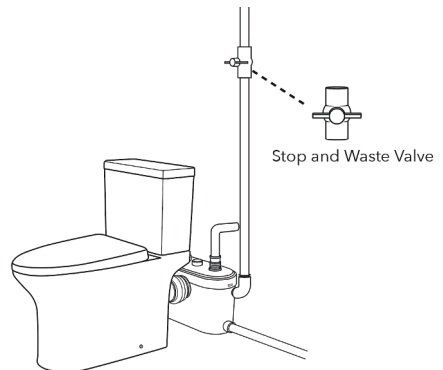
- The top right corner of the pump has a dual-use filter with activated carbon. You can also connect it to your exhaust system. Insert a hose, secure it with a clamp, and then connect it to a 1 ½" vent pipe.



Note:



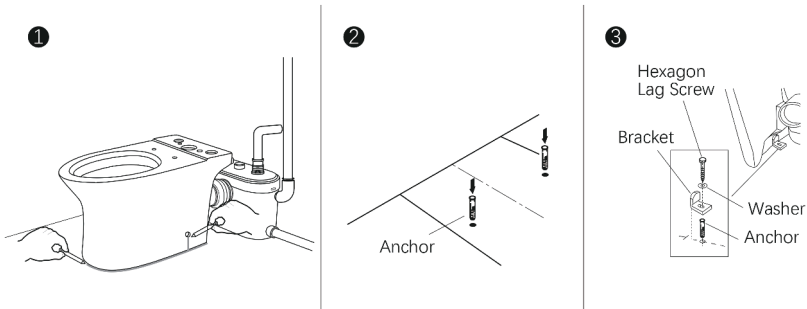
- ① Use two 45° elbows for right-angle turns for smoother flow. Insulate pipes in areas where freezing is a concern.



- ② We recommend installing a stop and waste valve in the drain pipe during setup for easier maintenance of the toilet or pump later on.

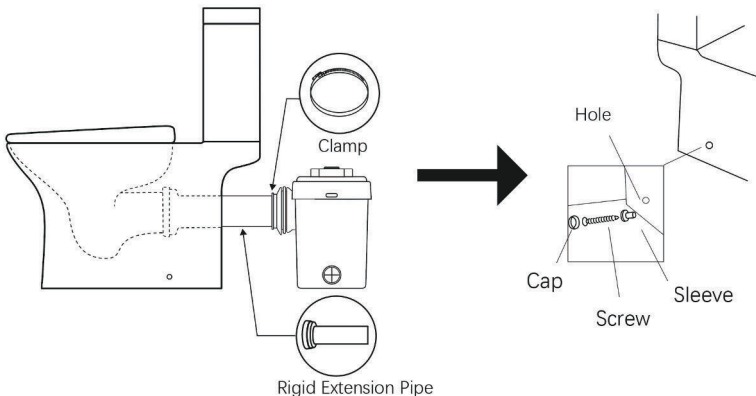
Step 4: Determine The Toilet Installation Location

- Connect the rigid or flexible extension pipe (depending on your setup) to the toilet's outlet, and insert it into the rubber ring in the middle of the pump.
- Mark the points at the mounting holes, then remove the toilet bowl.
- Drill the mounting holes at the marked points, then insert the expansion anchors.
- Place a washer onto each of the hexagon screws and fix the brackets to the floor.



Step 5: Connect The Extension Pipe To The Pump

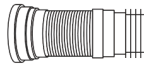
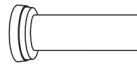
- Position the toilet bowl in the marked location.
- Pull the rubber ring of the pump over the one end of the extension pipe.
- Place the metal large clamp over the edge of the rubber ring, and tighten with a screwdriver.
- Install the plastic sleeves and use the screws to fix the toilet to the brackets. Attached the caps to the screw heads.



- If installing the pump behind the wall, remember to install a removable panel in the wall for macerator pump access.

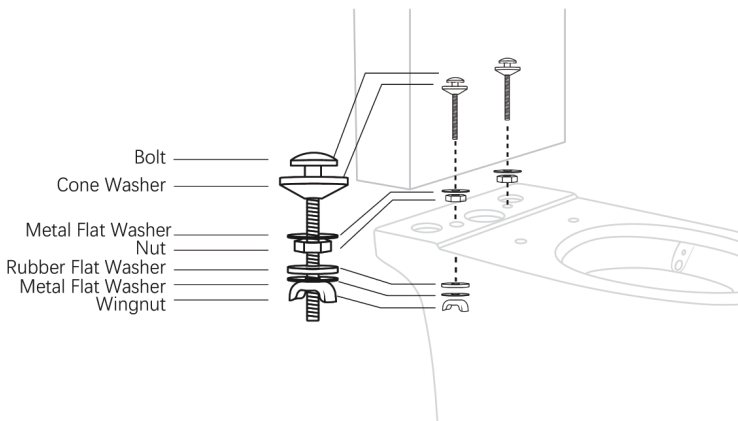
Note:

An extension pipe is required when installing the pump behind the wall. We offer two options: a rigid extension pipe and a flexible extension pipe. Please choose the pipe according to your needs.


Flexible Extension Pipe

Rigid Extension Pipe

Step 6: Water Tank Assembly

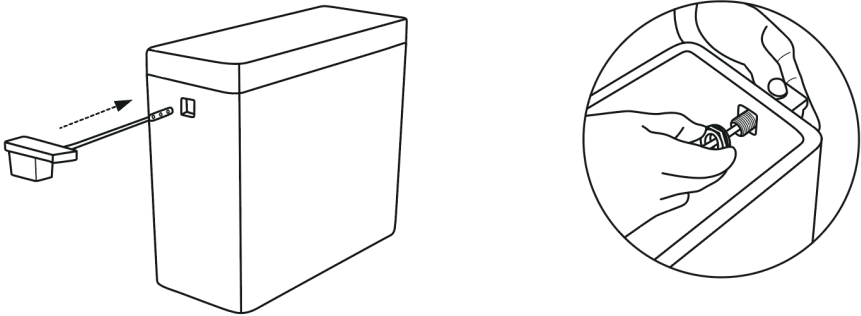
- Position the tank-to-bowl gasket over the tank nut, ensuring there are no gaps between the gasket and the tank.
- Insert the two tank bolts into the tank mounting holes. Lift the tank and guide the bolts to align the tank with the bowl.
- Place the washers and nuts in order. Alternately tighten the nuts to secure the tank to the toilet bowl.



Step 7: Install Flush Lever

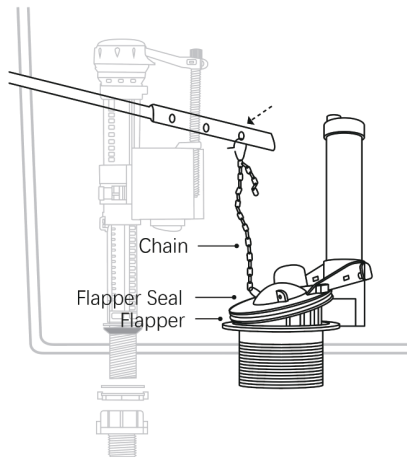
● Lever Assembly

1. Unscrew the positioning rubber, rubber washer and plastic nut from the lever arm.
2. Insert the lever arm and the positioning rubber through the square hole on the tank's left side. Adjust the rubber until it fits perfectly.
3. Secure the lever arm by tightening the rubber washer and plastic nut.



● Attach Flapper

1. Attach the chain from the flapper to the lever arm.
2. Ensure the chain length allows the flapper to fully raise when the lever is activated. Keep 5 or 6 extra chain links for potential future adjustments.

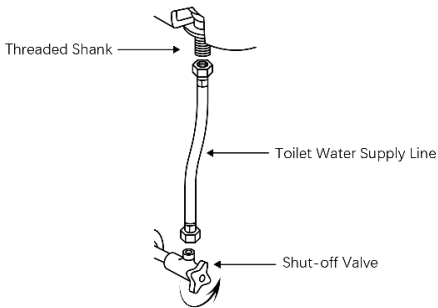


Step 8: Install The Water Supply Pipe And Test Flush

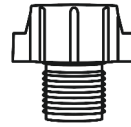
- Connect the water supply line. We offer a $\frac{7}{8}$ " to $\frac{1}{2}$ " fill valve pipe adapter. Use the adapter if needed.
- Tighten the supply line securely and turn on the water supply. Please Do Not Overtighten.

Note:

Avoid using plumber's putty, pipe dope, or any other sealants on the water supply connection to this tank. If a leak occurs after hand-tightening, consider replacing the supply line. If the leakage persists with a new supply line, it may be necessary to replace the fill valve.



Water Supply Installation



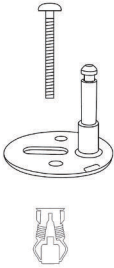
Adapter (Fits $\frac{1}{2}$ " toilet water supply line)

- Plug in and turn on the pump to verify its functionality. It should activate and deactivate without issues.
- Conduct a flushing test on the toilet, ensuring everything flows correctly and the pump activates as intended.
- After the flushing test, check all connection points for potential leaks. Tighten any loose connections further.

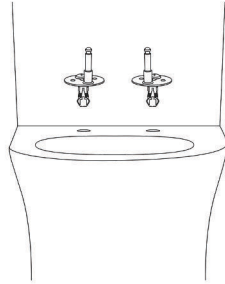
Step 9: Install The Toilet Seat

Use the supplied seat bolts and washers, and install the seat per the seat instructions provided.

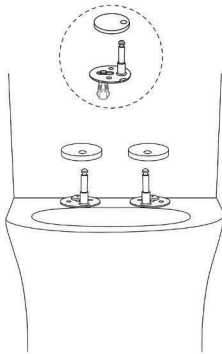
1



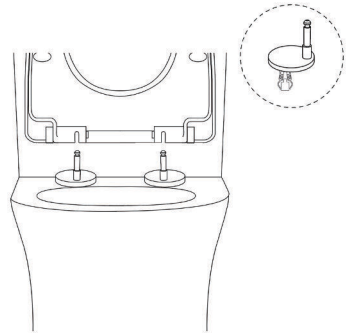
2



3



4



TROUBLESHOOTING GUIDE



RISK OF ELECTRIC SHOCK. ALWAYS DISCONNECT THE UNIT FROM THE POWER SUPPLY BEFORE ATTEMPTING ANY REMEDIES.

If issues persist and are not resolved using this guide, contact our service organization. Dismantling of the appliance must only be done by an approved repair agent.

| SYMPTOMS | PROBABLE CAUSES | REMEDIES |
|---|--|---|
| The unit stops | <ul style="list-style-type: none"> ● An object is blocking the blades. ● The unit has been running for too long, triggering the thermal cut out. | <ul style="list-style-type: none"> ● Call an approved service engineer. ● The unit should reset itself after cooling down. |
| Motor intermittently activates | <ul style="list-style-type: none"> ● Connected sanitary devices are dripping. ● Faulty check valve. | <ul style="list-style-type: none"> ● Inspect and correct the installation upstream. ● Clean or replace the check valve. |
| Slow and intermittent water drainage | <ul style="list-style-type: none"> ● Air vent is clogged. ● Toilet bowl is partially blocked. | <ul style="list-style-type: none"> ● Clear the air vent. ● Ensure the toilet bowl is clear of any blockages. |
| Motor runs for extended periods | <ul style="list-style-type: none"> ● Installation exceeds specified length/height or contains too many bends/elbows. ● Pump chamber blockage. | <ul style="list-style-type: none"> ● Check the installation. ● Call an approved service engineer. |
| Motor does not activate | <ul style="list-style-type: none"> ● No electrical power. ● Motor or control system defect. | <ul style="list-style-type: none"> ● Restore the electrical supply. ● Call an approved service engineer. |
| Rattling sound from motor, no operation | <ul style="list-style-type: none"> ● Presence of a foreign object. ● Issue with motor or control system. | <ul style="list-style-type: none"> ● Call an approved service engineer. |
| Cloudy water in shower tray | <ul style="list-style-type: none"> ● Shower installed lower than recommended in relation to the macerator unit. ● Clogged hinged side inlet discs. | <ul style="list-style-type: none"> ● Check the installation height. ● Clean the hinged inlet discs. ● Call an approved service engineer. |

LIMITED WARRANTY COVERAGE

TWO YEAR LIMITED WARRANTY

MaceratingFlo products are crafted with superior materials and impeccable workmanship, offering our customers reliable and long-lasting products. If defects in materials or craftsmanship are detected under standard use within the first two years of installation, MaceratingFlo will either supply replacement parts at no charge or, if deemed necessary, replace the product or its parts, this warranty is exclusive to the original purchaser, and proof of purchase is mandatory for any claim.

We strongly advise all MaceratingFlo product installations be handled by a licensed, professional plumber or contractor. MaceratingFlo won't be held liable for damages or product malfunctions due to incorrect installation, misuse, or if a licensed professional isn't employed for the installation. We won't cover any associated installation or removal expenses.

This Warranty Will Be Voided If:

- The product's installation did not follow our recommendations.
- The product was relocated from its initial installation site.
- The product underwent any modifications from its original condition.
- The product suffered from neglect, misuse, chemical overuse, accidents, or any other damages.

MaceratingFlo does not imply that our products adhere to local building or plumbing codes. Consumers must ascertain local code compliance before and during installation. This warranty is strictly for the original purchaser and first consumer.

MaceratingFlo won't be held responsible for any consequential damages linked to the product's installation, replacement, return, or usage. This includes, but is not limited to, freight charges, labor, downtime, home damages, and other associated costs (e.g., professional services, investigations, audits, legal fees).

This MaceratingFlo warranty clearly delineates our liability. Items not specified in this warranty fall outside MaceratingFlo's responsibility. In states with variations concerning implied warranties, our compliance is ensured.

For any queries or concerns, feel free to reach out to us at

Email: cs@maceratingflo.com
Phone: (+1) 626-670-9903
Site: www.maceratingflo.com