



# MT000T02

## Two-Piece Toilet



ADA  
Compliant

### FEATURES :

- Rear Discharge Two-Piece Toilet
- Ergonomic Height ( 18 <sup>7</sup>/<sub>8</sub>" )
- Rimless Flushing
- 18 1/2" Comfortable Elongated Bowl
- Top Dual Flush System

### SPECIFICATIONS :

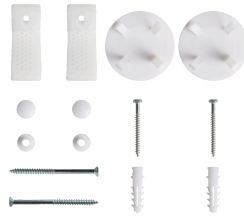
- **N.W:** 112.4 LB
- **Dimension:** 25 <sup>9</sup>/<sub>16</sub>"L \* 35 <sup>7</sup>/<sub>16</sub>"H \* 15 <sup>3</sup>/<sub>8</sub>"W
- **Trap Type:** P-trap
- **Flush Type:** Rimless Flush
- **Flush Rate:** 0.8GPF / 1.28GPF
- **Waste Outlet:** Wall
- **Seat Shape:** Elongated
- **Installation Type:** Floor Mounted
- **Quality Assurance:** 2-Year Warranty

|                 | Bowl    | Water Tank | Toilet Seat   | Extension Pipes |
|-----------------|---------|------------|---------------|-----------------|
| <b>Material</b> | Ceramic | Ceramic    | Polypropylene | Polypropylene   |
| <b>Color</b>    | White   | White      | White         | White           |
| <b>Weight</b>   | 77.3 LB | 27.3 LB    | 5.5 LB        | 2.3 LB          |

## PACKAGE INCLUDED :



**Toilet Bowl**



**Floor Mounting Kit**



**Extension Pipes**



**Water Tank**  
(Water Fittings Pre-installed)



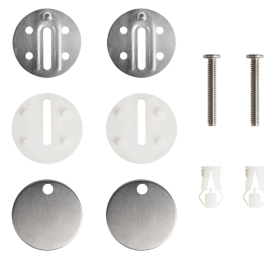
**Tank-To-Bowl Gasket**



**Flush Button**



**Toilet Seat**



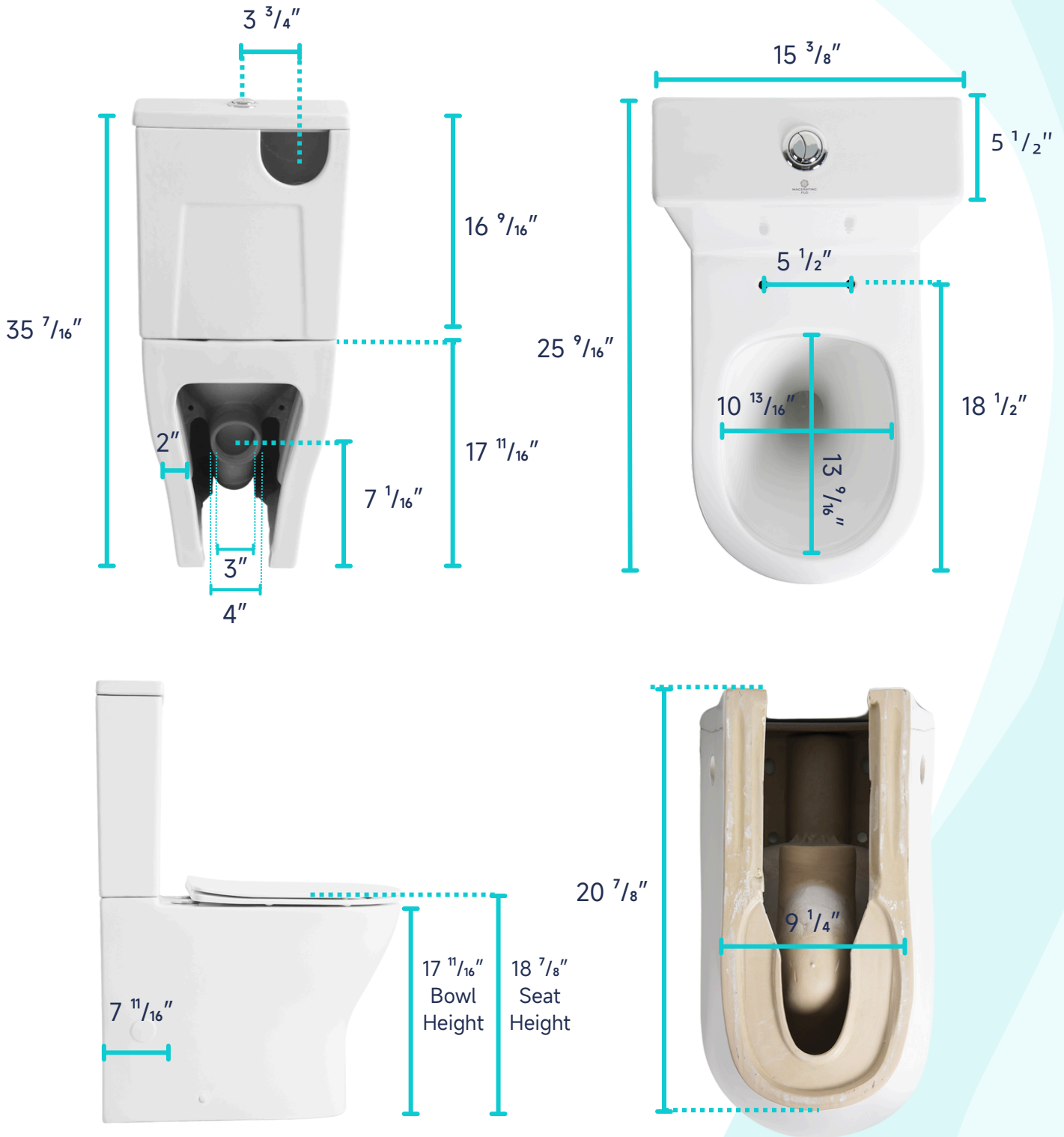
**Seat Mounting Kit**



**Adapter**

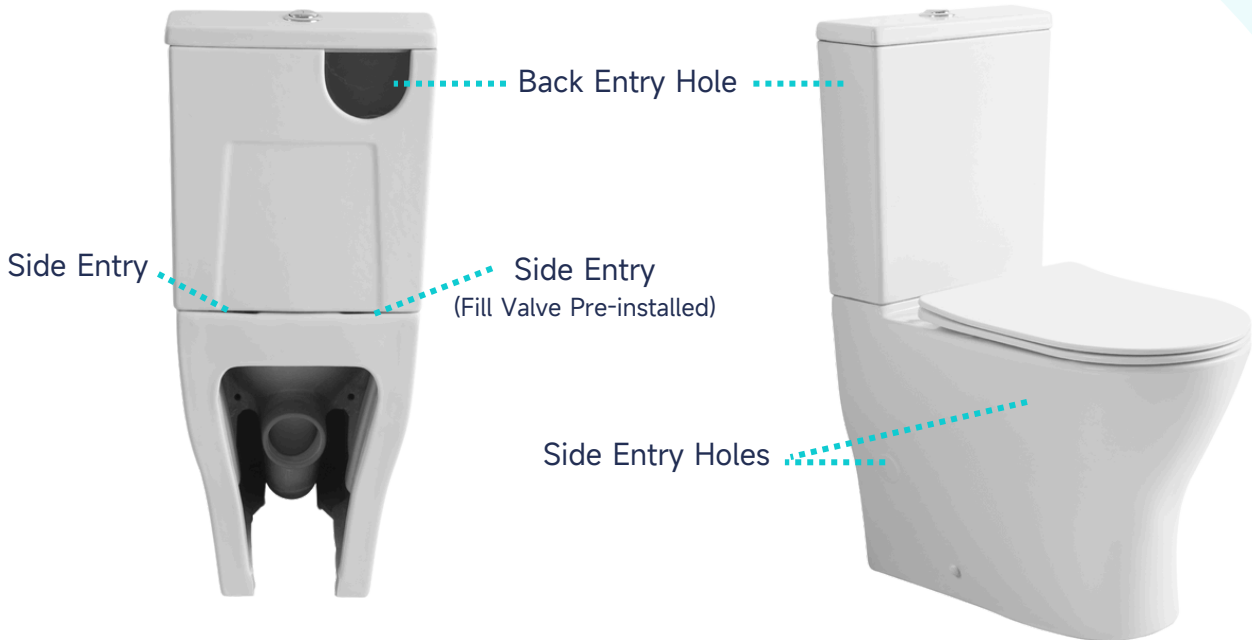


## DIMENSIONAL DIAGRAM :

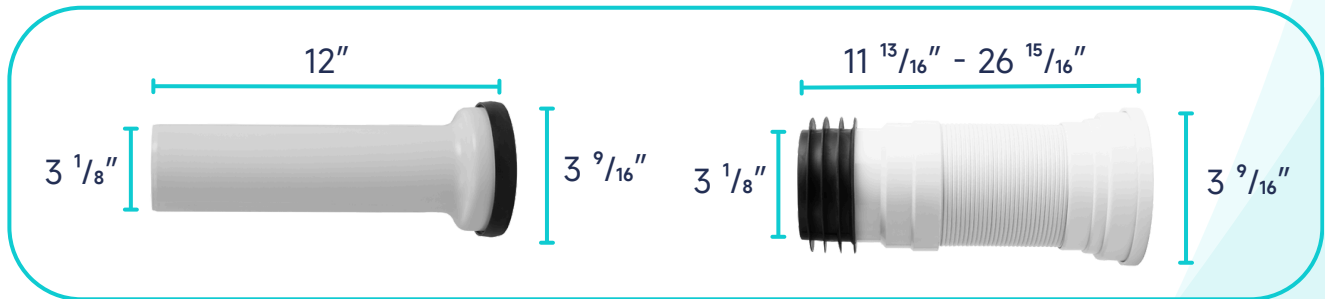


## DIMENSIONAL DIAGRAM :

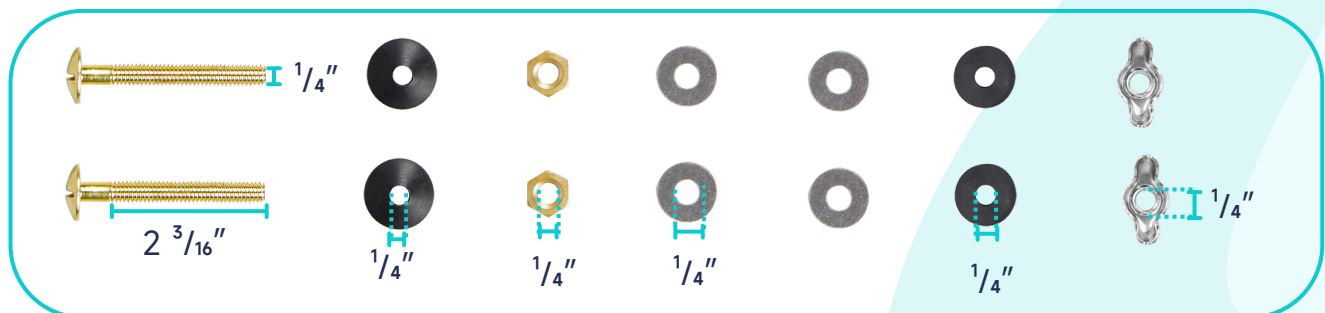
### ABOUT WATER INLETS:



### EXTENSION PIPES:



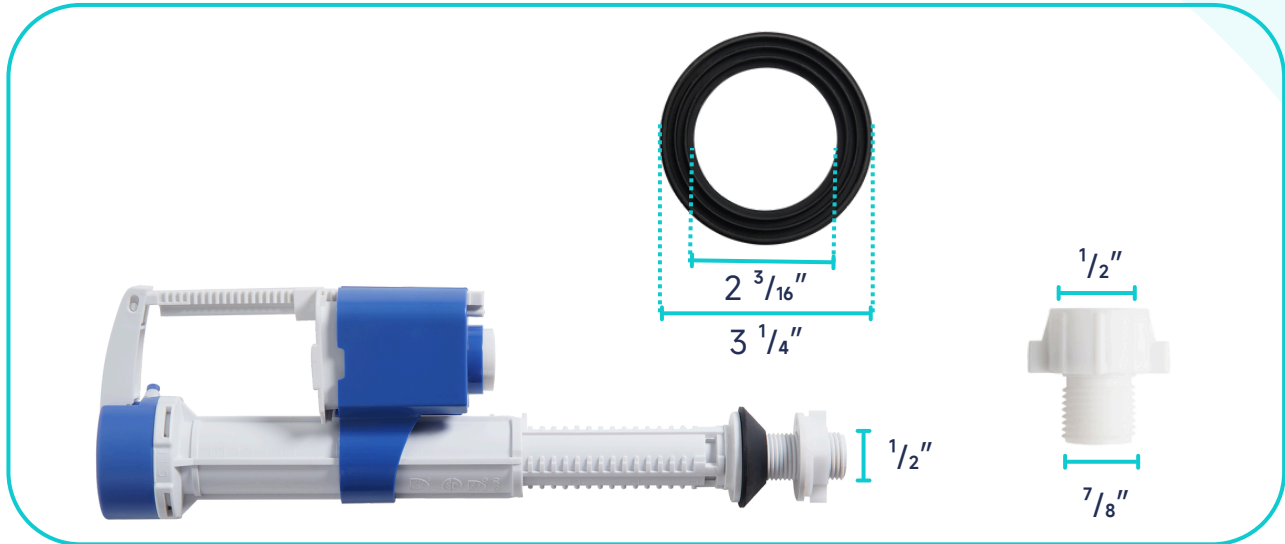
### WATER TANK MOUNTING KIT:



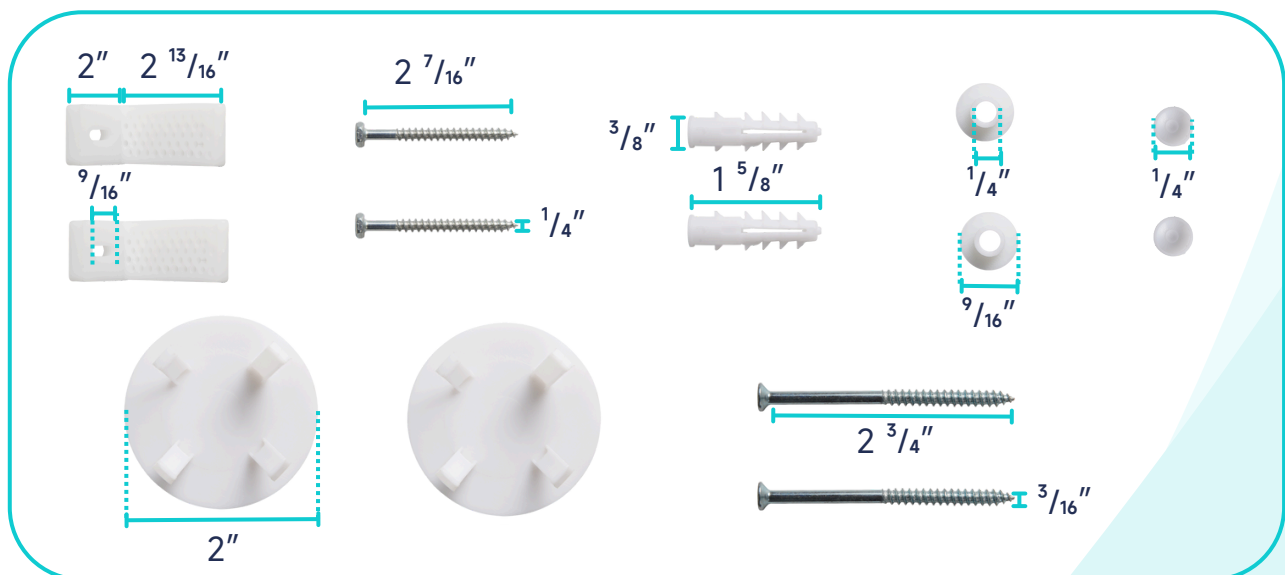


## DIMENSIONAL DIAGRAM :

### WATER TANK CONNECTION KIT:



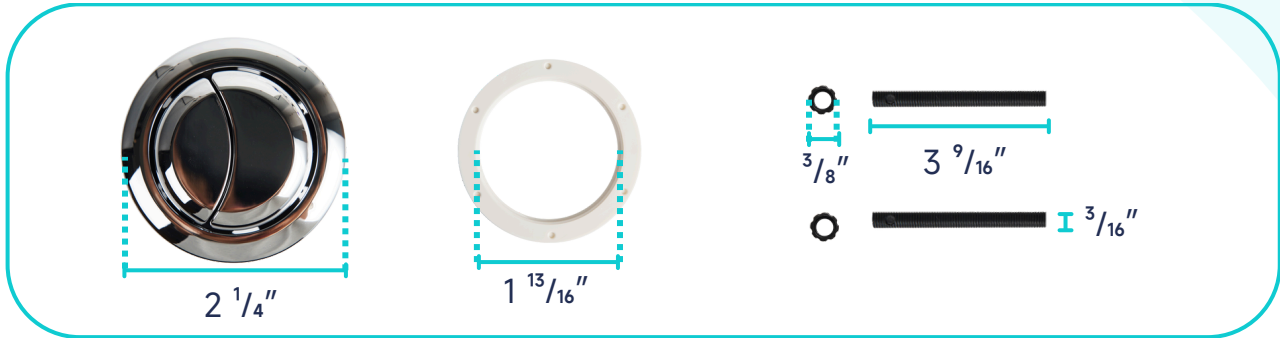
### FLOOR MOUNTING KIT:





## DIMENSIONAL DIAGRAM :

### FLUSH BUTTON:



### SEAT MOUNTING KIT:

